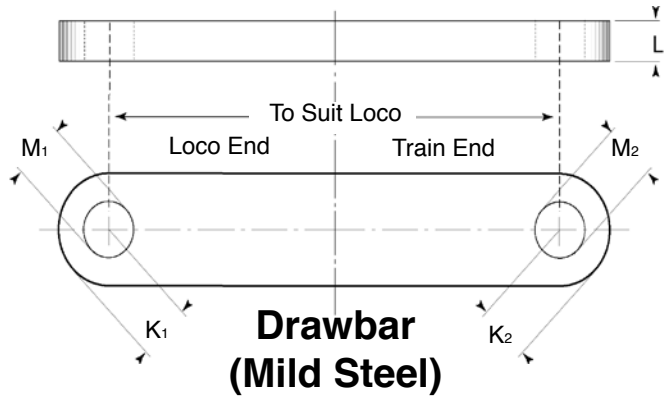
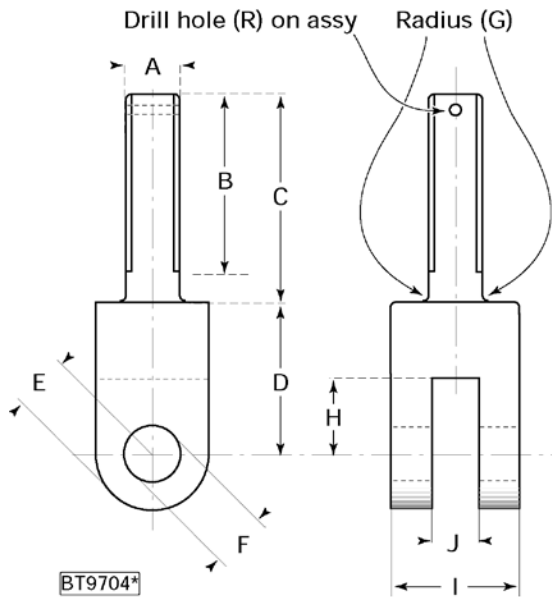


Recommended Couplings

v4 March 2014

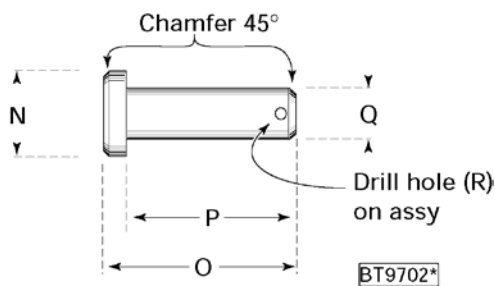


**Drawbar
(Mild Steel)**

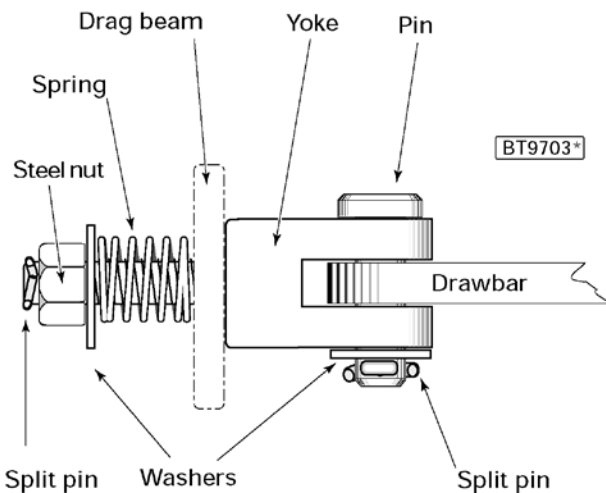


Coupling Yoke (Mild Steel)

| | | 3 1/2" | 5" |
|----|----------|--------|---------|
| A | Thread | 2BA | 1/4"BSF |
| B | | 1/2" | 3/4" |
| C | | 3/4" | 1" |
| D | | 3/8" | 5/8" |
| E | Radius | 3/16" | 5/16" |
| F | Hole | 3/16" | 1/4" |
| G | Radius | 1/32" | 1/16" |
| H | | 1/4" | 3/8" |
| I | | 3/8" | 5/8" |
| J | | 3/16" | 1/4" |
| K1 | Radius | 3/16" | 5/16" |
| K2 | Radius | 5/16" | 5/16" |
| L | | 5/32" | 3/16" |
| M1 | Hole | 13/64" | 17/64" |
| M2 | Hole | 17/64" | 17/64" |
| N | Diameter | 5/16" | 7/16" |
| O | | 21/32" | 1" |
| P | | 9/16" | 7/8" |
| Q | Diameter | 3/16" | 1/4" |
| R | Hole | 3/64" | 1/16" |



**Drawbar Pin
(Silver Steel)**



**General Assembly
of Recommended
Coupling**